



RAILS

Description



GUARDRAIL - FRONT VIEW

Double Guardrail- The standard 44" column is made of steel and is designed to support two parallel guardrails. Each column is equivalent to 5" x 5" x 1/8" thick and has 4 punched holes with a diameter of 3/4" on each side. The column is secured at the top with a customized plastic black cap and is welded to a 10" x 10" x 1/2" baseplate consisting of 4 evenly spaced 3/4" diameter hole at each corner. The columns are powder-coated Safety Yellow and weighs a total of 45 lbs.

Single Guardrail- The 18" single guardrail column is punched with 2 holes with a diameter of 3/4" on each side. Each column weighs a total of 27 lbs. When properly installed-engineered to withstand a 10,000-lb impact at 4mph.

PRODUCT INFORMATION

Assembly

Columns are available as two options, either with a centered base plate or an offset base plate. Columns with offset base plates allow it to be placed flush against an adjacent wall. Each option is designed for double or single guardrails. The base plates require 4 - 5/8" x 4 1/2" Zinc plated floor anchors.

Specifications

SPECIFICATIONS

Construction	Unassembled Components
Material	ASTM A607 grade 50 corrugated steel
Rail Height	12"
Overall Height	12 1/2" (includes end plate)
Rail Width	3"
Overall Width	3 1/4" (includes end plate)
Thickness	13 - GA
Finish	Powder Coated Safety Yellow
Requires	1/2"Ø x 7" Carriage Bolts <i>(sold separately)</i>

RAIL FRONT



RAIL BACK



Safety Yellow



SIZES

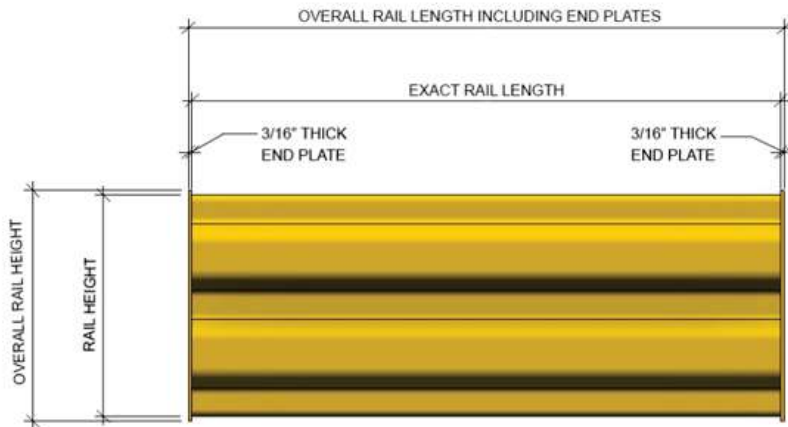
Please consult the table below for a complete list of dimensions.

ITEM DESCRIPTION	NOMINAL RAIL LENGTH	EXACT RAIL LENGTH	WEIGHT	ITEM #
2' Heavy Duty Guardrail with 12" Rail Height	2'-0"	1'-7"	18 lbs	GR2
3' Heavy Duty Guardrail with 12" Rail Height	3'-0"	2'-7"	25 lbs	GR3
4' Heavy Duty Guardrail with 12" Rail Height	4'-0"	3'-7"	32 lbs	GR4
5' Heavy Duty Guardrail with 12" Rail Height	5'-0"	4'-7"	38 lbs	GR5
6' Heavy Duty Guardrail with 12" Rail Height	6'-0"	5'-7"	45 lbs	GR6
7' Heavy Duty Guardrail with 12" Rail Height	7'-0"	6'-7"	52 lbs	GR7
8' Heavy Duty Guardrail with 12" Rail Height	8'-0"	7'-7"	59 lbs	GR8
9' Heavy Duty Guardrail with 12" Rail Height	9'-0"	8'-7"	65 lbs	GR9
10' Heavy Duty Guardrail with 12" Rail Height	10'-0"	9'-7"	72 lbs	GR10

* Custom Sizes Available

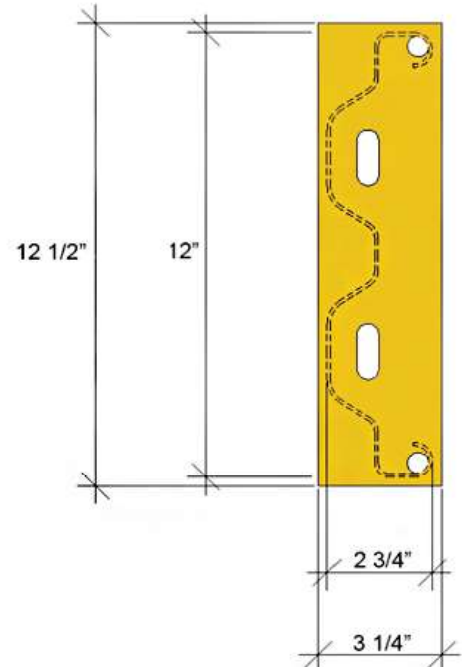
FRONT VIEW

Exact rail length including end plates
 3/16" thick each
 Overall rail height of 12 1/2"



SIDE VIEW

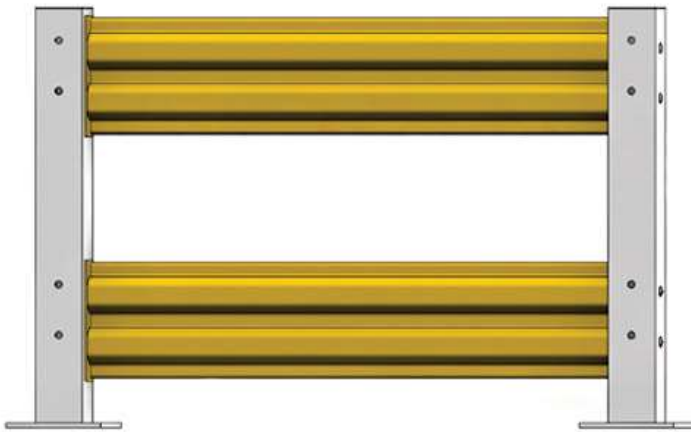
Rail is welded to a 12 1/2" x 3 1/4" x 3/16" thick end plate at each side



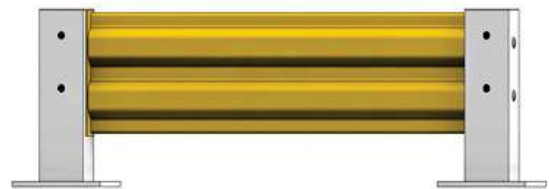


DETAILS

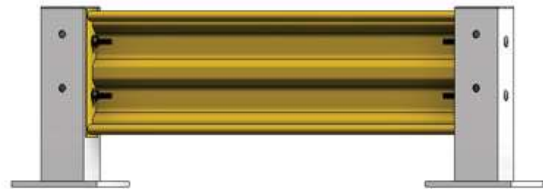
DOUBLE HEAVY DUTY GUARDRAIL
FRONT VIEW



SINGLE HEAVY DUTY GUARDRAIL
FRONT VIEW

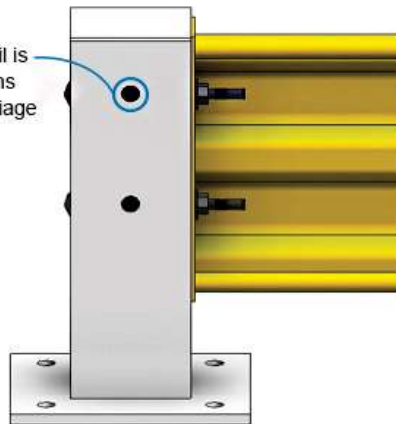


BACK VIEW

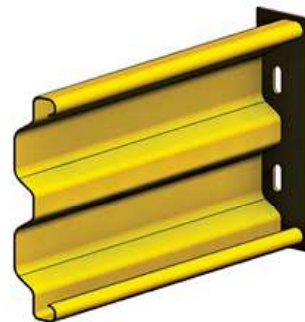


HEAVY DUTY GUARDRAIL
CONNECTION DETAIL

The heavy duty guardrail is connected to the columns using 2 - $\varnothing 1/2"$ x 7" carriage bolts



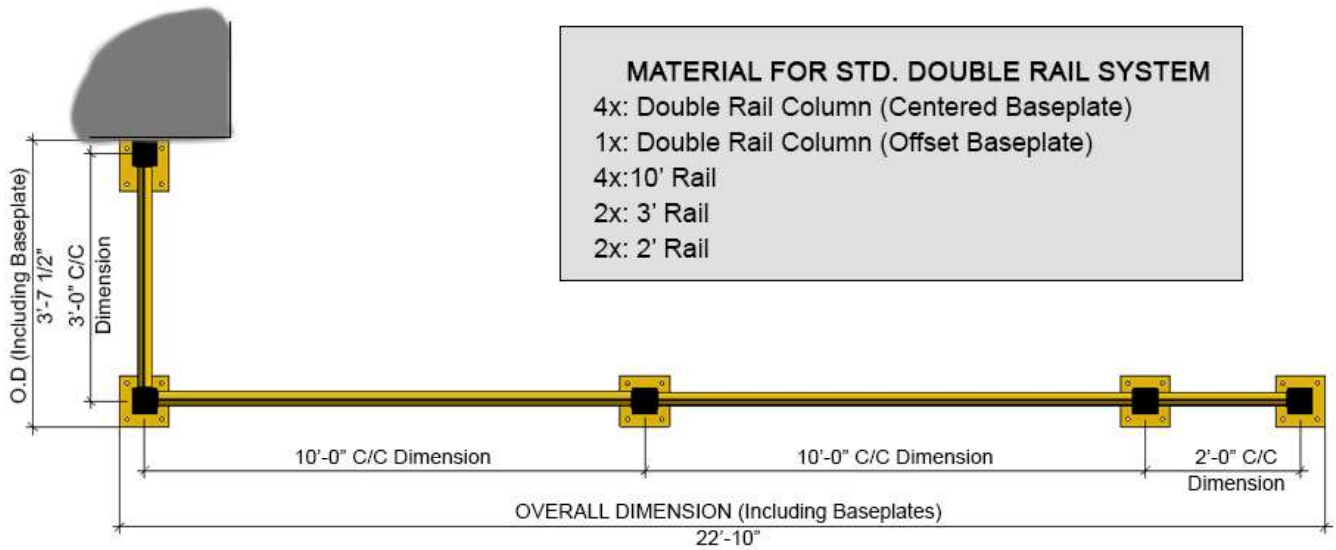
SECTION VIEW
RAIL SECTION





HOW TO ORDER

LAYOUT EXAMPLE (PLAN VIEW)





18" HIGH COLUMN

COLUMNS

Description

The guardrail is made of roll-formed 13-gauge structural steel and is fabricated at various length ranging from 19" to 115". The length can also be adjusted and customized according to a specified design. The durability of the steel meets the requirements indicated by the ASTM A1011 Grade 45. The rails are sized for the following center- to-center dimensions: 12", 24", 36", 48", 60", 72", 8", 96", 108" or 120". The rails are powder-coated with safety yellow and oven cured. When properly installed-engineered to withstand a 10,000-lb impact at 4mph.

PRODUCT INFORMATION

Assembly

Guardrails are assembled either individually or in pairs according to the height of the column it is being attached to. The standard 12" high rail is welded to two 12 1/2" x 3 1/2" plates on each side. These plates are punched with two 9/16" connection holes and bolted to the column using Ø1/2" x 7" carriage bolts.

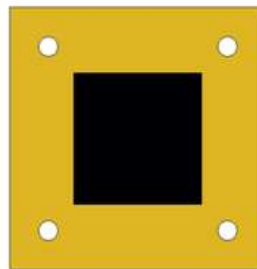
Specifications

SPECIFICATIONS

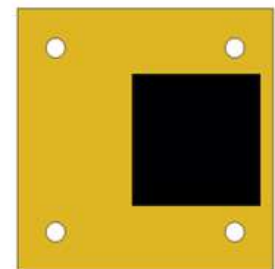
Column Height	18", 44"
Type of Column	Centered or Offset
Size	5" x 5" x 1/8" Thick
Finish	Powder-coated
Weight	18" Column including baseplate- 27 lbs 44" Column including baseplate- 45 lbs
Base Plate	10" x 10" x 1/2" Thick
Requires	5/8"x 4 1/2" Ø Floor Anchors <i>(sold separately)</i>

Type of Column

Centered Base Plate



Offset Base Plate



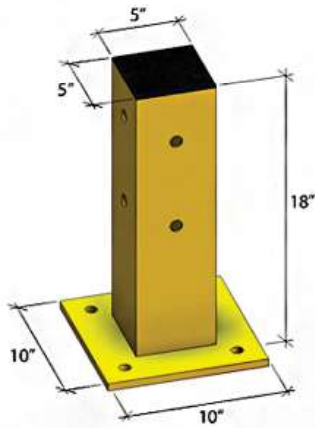


SIZES

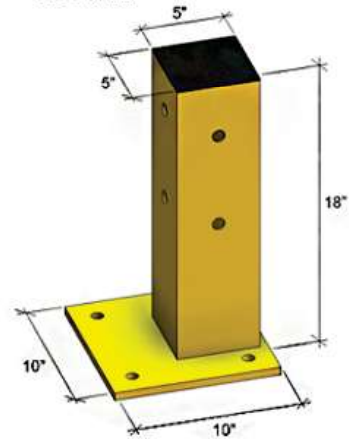
Please consult the table below for a complete list of dimensions.

ITEM DESCRIPTION	COLUMN HEIGHT	RAIL HEIGHT	ITEM #
Standard Column 5" x 5" x 1/8" Thick Steel Tube - Centered	18"	17"	Item # GPSC
Standard Column 5" x 5" x 1/8" Thick Steel Tube - Offset	18"	17"	Item # GPSO
Standard Column 5" x 5" x 1/8" Thick Steel Tube - Centered	44"	42"	Item # GPDC
Standard Column 5" x 5" x 1/8" Thick Steel Tube - Offset	44"	42"	Item # GPDO

ITEM # GPSC
 HEAVY DUTY GUARDRAIL-CENTERED
 SINGLE RAIL COLUMN
 5" X 5" COLUMN & CENTERED 10" X 10"
 BASE PLATE



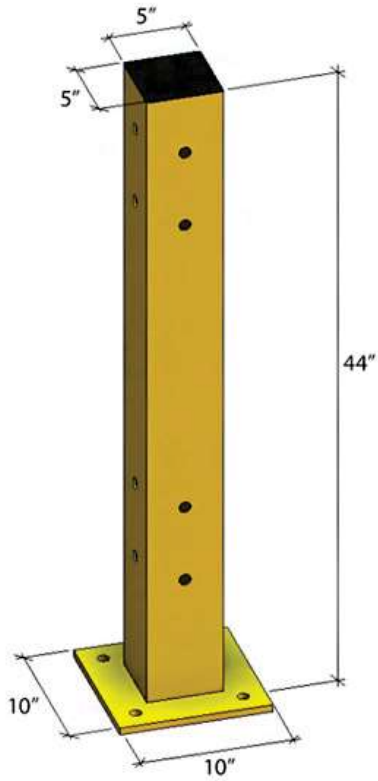
ITEM # GPSO
 HEAVY DUTY GUARDRAIL-OFFSET
 SINGLE RAIL COLUMN
 5" X 5" COLUMN & CENTERED 10" X 10"
 BASE PLATE



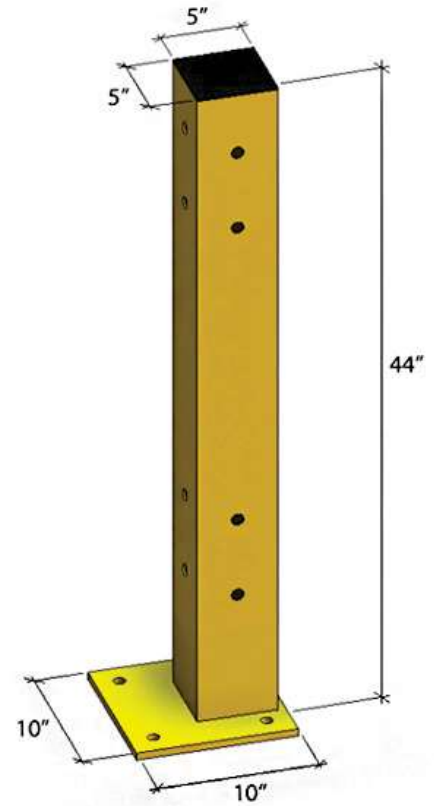


SIZES

ITEM # GPDC
HEAVY DUTY GUARDRAIL-CENTERED
DOUBLE RAIL COLUMN
5" X 5" COLUMN & CENTERED 10" X 10"
BASE PLATE



ITEM # GPDO
HEAVY DUTY GUARDRAIL- OFFSET
DOUBLE RAIL COLUMN
5" X 5" COLUMN & CENTERED 10" X 10"
BASE PLATE





DETAILS

COLUMN SIZES

height: 18"

Columns are made of 5" x 5" x 1/8" thick steel tube.

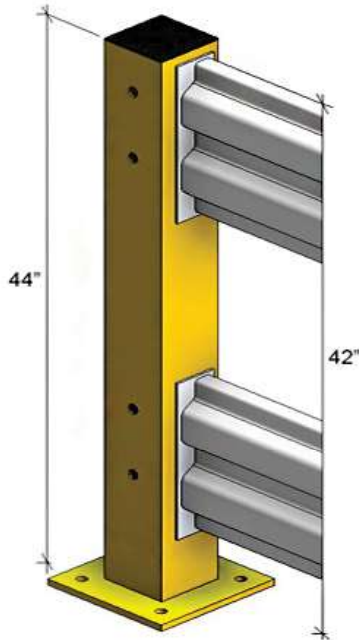
Base plates are made of 10" x 10" x 1/2" thick steel and are punched with four holes for 5/8" Ø x 4 1/2" floor anchors.

height: 44"

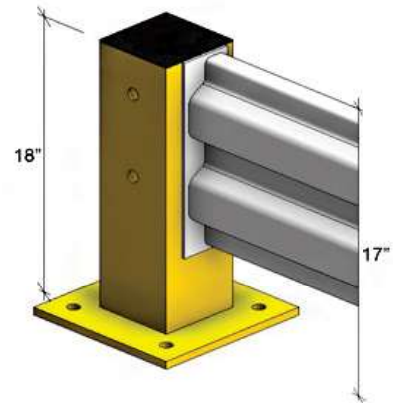
Columns are made of 5" x 5" x 1/8" thick steel tube.

Base plates are made of 10" x 10" x 1/2" thick steel and are punched with four holes for 5/8" Ø x 4 1/2" floor anchors.

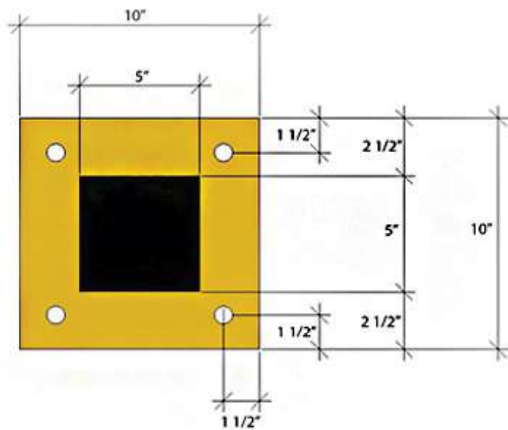
CENTERED
DOUBLE RAIL COLUMN



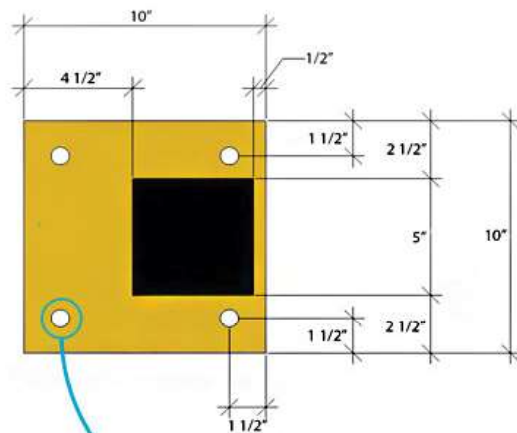
CENTERED
SINGLE RAIL COLUMN



PLAN VIEW
CENTER BASE PLATE



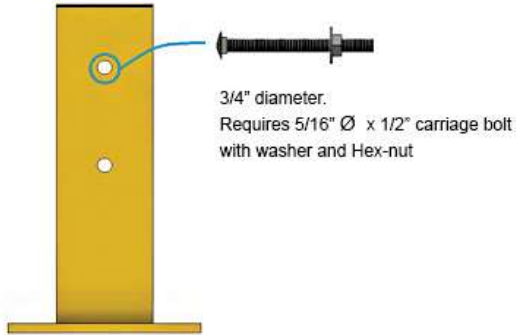
PLAN VIEW
OFFSET BASE PLATE



3/4" diameter
Requires 4- 5/8" Ø x 4 1/2"
floor anchors

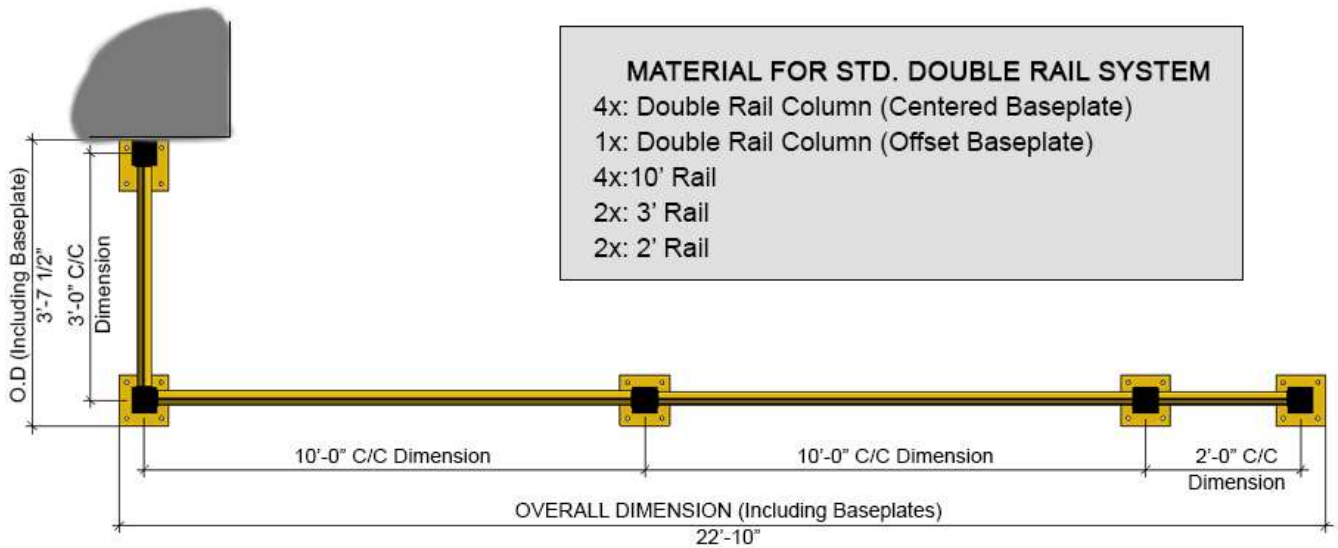


DETAILS



HOW TO ORDER

LAYOUT EXAMPLE (PLAN VIEW)



- MATERIAL FOR STD. DOUBLE RAIL SYSTEM**
- 4x: Double Rail Column (Centered Baseplate)
 - 1x: Double Rail Column (Offset Baseplate)
 - 4x: 10' Rail
 - 2x: 3' Rail
 - 2x: 2' Rail

